

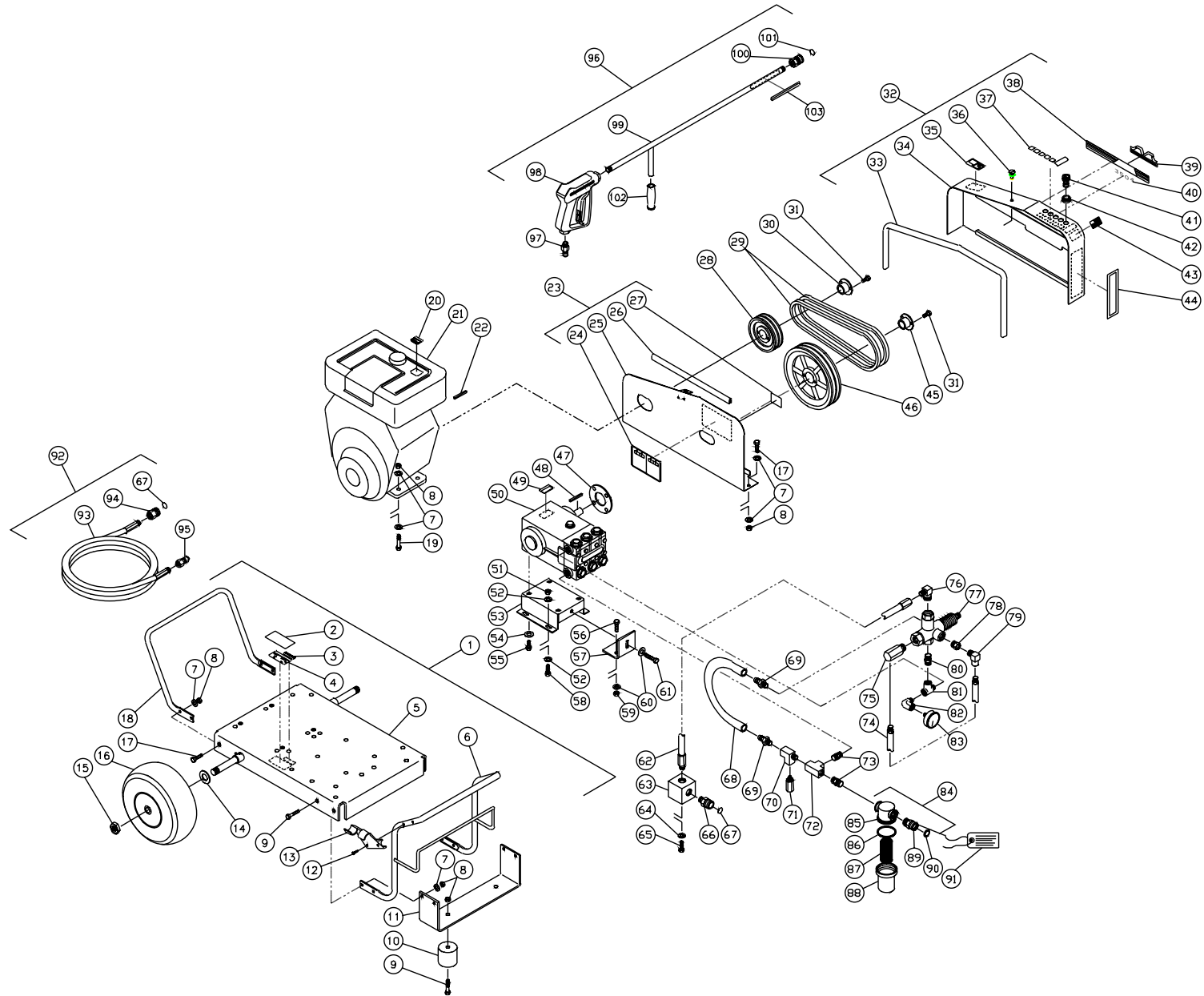
Mi-T-M[®] CORPORATION

8650 Enterprise Drive, Peosta IA 52068-0050
319-556-7484 / Fax 319-556-1235

CW-3504-3MV0 PARTS LIST

ENGINE OIL GRADE:	30W SE/SF/SG
VANGUARD OIL CAPACITY:	48 oz.
PUMP OIL:	MI-T-M #AW-4085-0016
PUMP OIL CAPACITY:	40.6 oz.
NOZZLE SIZE:	4.0 mm

FRAME ASSEMBLY FOR CW-3504-3MGH/3MGV

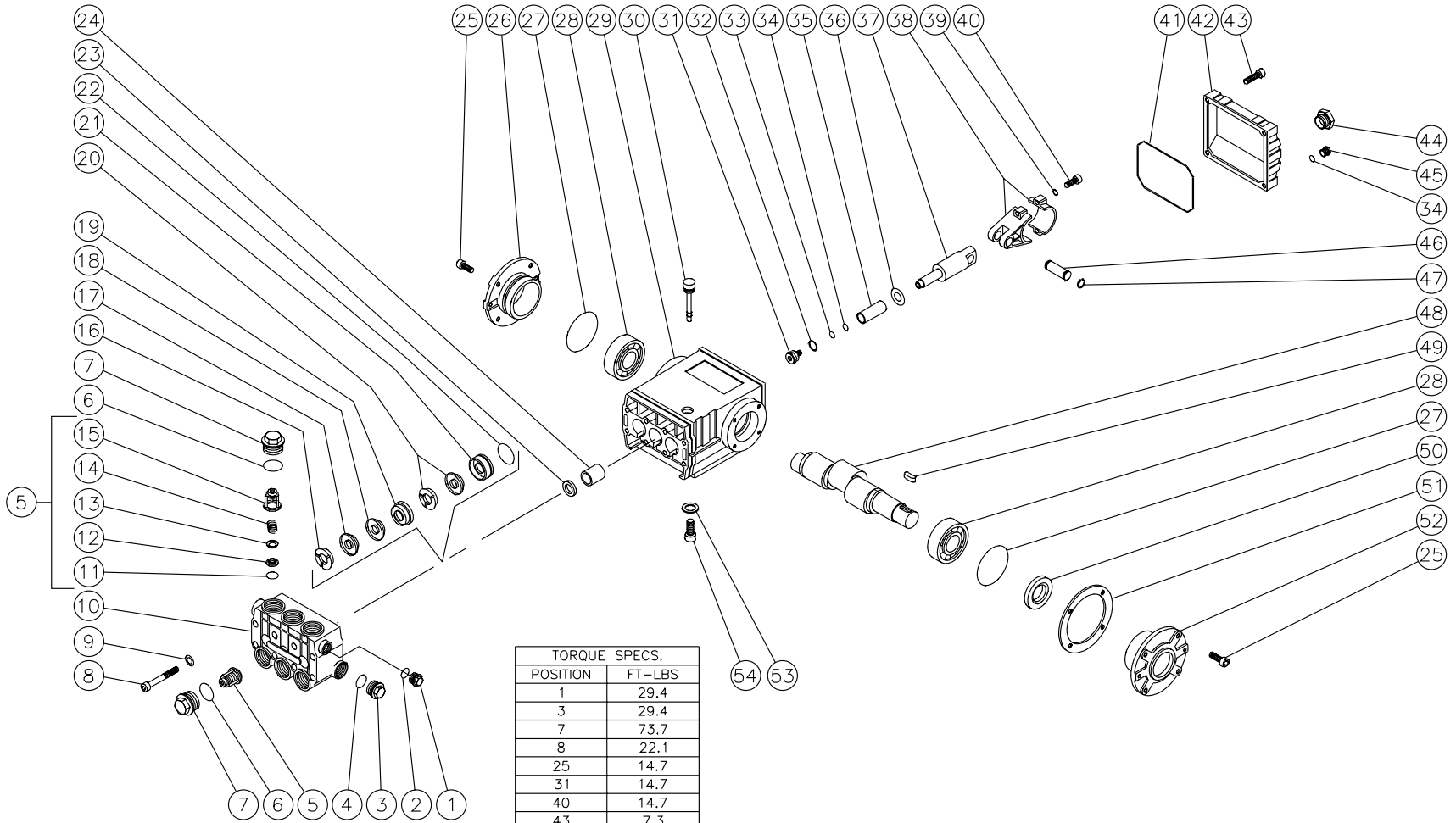


OMCWU118-062096-JTR

FRAME ASSEMBLY FOR CW-3504-3MV0

REF #	DESCRIPTION	PART #	QTY	REF #	DESCRIPTION	PART #	QTY	REF #	DESCRIPTION	PART #	QTY
1	Base Plate Assembly (5-20)	851-0235	1	38	Fastener	33-0197	1	71	Hose Barb	23-0005	2
2	Decal-Clear Laminate	34-0210	1	39	Decal-Nozzles: 0 , 15 , 25 , 40	34-0500	1	72	Tee	23-0124	1
3	Decal-Cold Water Serial Number	N/A	1	40	Decal-Mi-T-M Stripe-Large	34-0501	1	73	Heat Dump Valve	22-0005	1
4	Decal-Silver Sticker	34-0075	1	41	Decal-Mi-T-M Logo	62-0086	1	74	Tee	23-0043	1
5	Base Plate	5-0078	1	42	Decal-White Die Cut: 3504	34-0034	1	75	Hex Nipple	23-0012	2
6	Handle-Front	7-0101	1	43	Spray Nozzles			76	Hose	15-0140	1
7	Washer	28-0003	24		0004	18-0028	1	77	Easy Start Valve	22-0146	1
8	Locknut	30-0157	18		1504	18-0029	1	78	Elbow	24-0074	1
9	Bolt	27-0068	6		2504	18-0030	1	79	Unloader	8-0270	1
10	Isolator	14-0008	2		4004	18-0031	1	80	Hex Reducer	23-0056	1
11	Underbracket	13-0042	1	44	Grommet	33-0001	5	81	Elbow	23-0237	1
12	Screw	27-3062	2	45	American Flag	34-0521	1	82	Hex Nipple	24-0024	1
13	Wand holder-Plastic	62-0085	1	46	Operating Instructions	34-0499	1	83	Tee	23-0058	2
14	Roll Pin	43-0002	1	47	Bushing	9-0017	1	84	Elbow	24-0004	1
15	Washer	28-0008	2	48	Sheave	10-0040	1	85	Pressure Gauge	22-0107	1
16	Hub Cap	33-0018	2	49	Isolator-Pump	33-0202	1	86	Strainer Complete (87-92)	19-0057	1
17	Axle	20-0008	1	50	Pump I.D. #3-0011	34-0393	1	87	Strainer Cap	19-0058	1
18	Wheel	14-0006	2	51	Key-with Pump	43-0028	1	88	Strainer Gasket	26-0160	1
19	Bolt	27-0067	8	52	Pump	3-0011	1	89	Strainer Steel Screen	19-0059	1
20	Handle-Rear	7-0111	1	53	Locknut	30-0161	4	90	Strainer Bowl	19-0060	1
21	Bolt	27-0070	4	54	Washer	28-0030	8	91	Garden Hose Swivel	23-0095	1
22	Decal-Caution: Allow to Cool	34-0588	1	55	Pump Bracket	5-0101	1	92	Garden Hose Gasket	26-0001	1
23	Engine-14.0 HP Vanguard Recoil	1-0064	1	56	Washer-with pump	29-0055	4	93	Tag-Water Supply Inlet	34-0097	1
24	Key	43-0078	1	57	Bolt-with pump	27-8471	4	94	High Pressure Hose Assy. (95-97)	851-0006	1
25	Beltguard Back Assembly (28-31)	851-0215	1	58	Bolt	27-0118	2	95	High Pressure Hose 4000 PSI	15-0004	1
26	Decal-Caution/Warning Statements	34-0498	1	59	Brace Tightener	13-0003	1	96	Quick Connect Socket	17-0004	1
27	Beltguard Back (See 851-0215)(Ref. #25)	6-0063	1	60	Bolt	27-0166	4	97	Quick Connect Plug	17-0006	1
28	Edging (1" x 13.5")	33-0020	1	61	Locknut	30-0159	2	98	Gun/Wand Assembly (99-102, 104)	851-0095	1
29	Decal-Warning: Beltguard in Place	34-0575	1	62	Washer	28-0023	3	99	Quick Connect Plug	17-0005	1
30	Sheave	10-0043	1	63	Bolt	27-0576	1	100	Gun	16-0001	1
31	Belt	11-0011	2	64	Hose 3/8" x 17.5"	15-0141	1	101	Wand with Handle	16-0120	1
32	Bushing	9-0005	1	65	Manifold Block	51-0012	1	102	Quick Connect Socket	17-0001	1
33	Bolt-with bushing	27-0015	4	66	Washer	29-0008	2	103	O-ring	25-0122	2
34	Beltguard Cover Assy. (35-41, 44-46)	851-0216	1	67	Bolt	27-0116	2	104	Handle Grip	7-0002	1
35	Edging (1" x 34.5")	33-0020	1	68	Quick Connect Socket	17-0029	1	105	Decal-Warning: Risk of Injection	34-0572	1
36	Beltguard Cover (See 851-0216)(Ref. #34)	N/A Sep.	1	69	O-ring	25-0123	2				
37	Decal-Warning: Muffler Hot	34-0130	1	70	By-pass Hose	15-0022	1				

PUMP ASSEMBLY (3-0142) FOR CW-3504-3MGH/3MGV

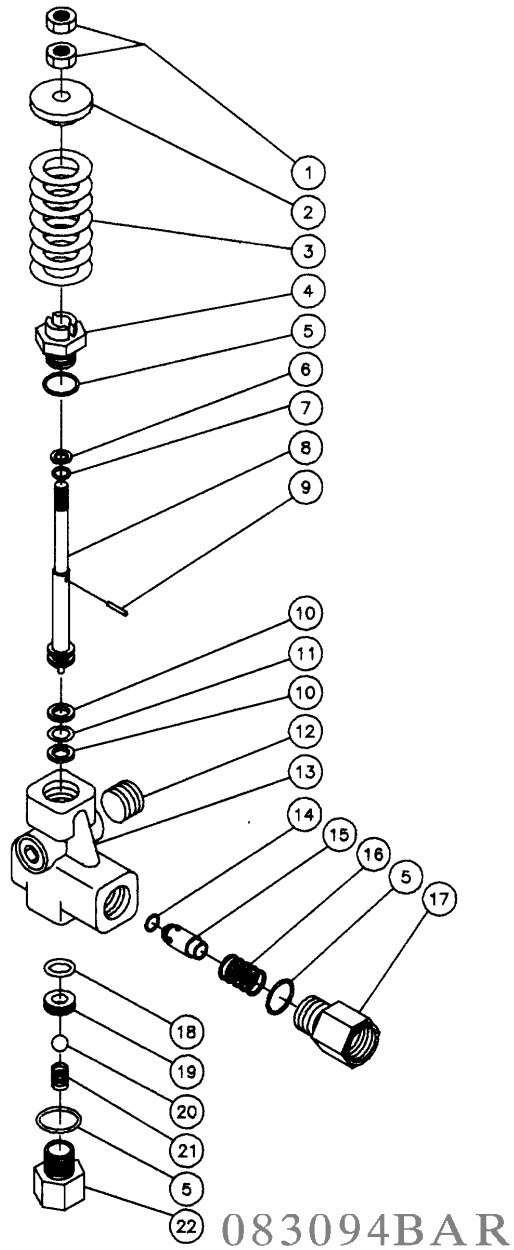


TORQUE SPECS.	
POSITION	FT-LBS
1	29.4
3	29.4
7	73.7
8	22.1
25	14.7
31	14.7
40	14.7
43	7.3
44	14.7
45	14.7
54	29.4

OMIPMP020-042298-DCE

PUMP ASSEMBLY (3-0011)							
REF. #	DESCRIPTION	PART #	QTY.	REF. #	DESCRIPTION	PART #	QTY.
1	Hex Plug	39-0018	1	32	Washer	28-0400	3
2	Washer	28-0600	1	33	O-ring	25-0014	4
3	Hex Plug	39-0019	1	34	Back-up Ring	46-0109	3
4	Washer	28-0601	1	35	Plunger	46-0052	3
5	Valve Assy. (Includes 11-15) (See 70-0009)	N/A Sep.	6	36	Flinger Washer	46-0146	3
6	O-ring	25-0012	6	37	Piston Rod	46-0054	3
7	Valve Plug	39-0021	6	38	Connecting Rod	46-0051	3
8	Bolt	27-8185	8	39	Lockwasher	29-0154	6
9	Lockwasher	28-0210	8	40	Bolt	27-8435	6
10	Pump Manifold - Brass 20mm	46-0061	1	41	O-ring Cover -Old Style	25-0079	1
11	O-ring (See 70-0009)	N/A Sep.	6	Ñ	O-ring Cover - New Style	25-0339	1
12	Valve Seat (See 70-0009)	N/A Sep.	6	42	Crankcase Cover - Old Style	46-0065	1
13	Valve Plate (See 70-0009)	N/A Sep.	6	Ñ	Crankcase Cover - New Style	46-0295	1
14	Valve Spring (See 70-0009)	N/A Sep.	6	43	Bolt	27-8404	5
15	Valve Cage (See 70-0009)	N/A Sep.	6	44	Oil Level Indicator	46-0114	1
16	Head Ring (See 852-0122)	N/A Sep.	6	45	Hex Plug	39-0017	1
17	Head Ring (See 852-0122)	N/A Sep.	6	46	Connecting Rod Pin	43-0032	3
18	Stop Ring Packing (See 852-0122)	N/A Sep.	6	47	Retaining Ring	46-0103	6
19	Intermediate Ring	46-0659	3	48	Crankshaft	46-0050	1
20	Seal (See 852-0122)	N/A Sep.	3	49	Key	43-0048	1
21	Seal Retainer	46-0057	3	50	Oil Seal	26-0049	1
22	O-ring	25-0015	3	51	Shim	46-0113	1
23	Oil Seal	26-0047	3	52	Crankcase Cover-Open	46-0296	1
24	Bushing	9-0029	3	53	Lockwasher	29-0055	4
25	Bolt	27-8431	8	54	Bolt	27-8471	4
26	Crankcase Cover-Closed	46-0336	1		Valve Kit (6 each of 11-15)	70-0009	
27	O-ring	25-0013	2		Head Ring Kit (3 each of 16)	70-0030	
28	Roller Bearing	48-0012	2		Packing Kit (3 each of 17, 18, 20)	70-0147	
29	Crankcase	46-0047	1		Packing Assy. (3 each of 16, 17, 18, 20, 22)	852-0122	
30	Oil Dipstick	46-0144	1		Intermediate Retainer Kit (3 each 18, 19)	70-0148	
31	Piston Bolt	46-0069	3				

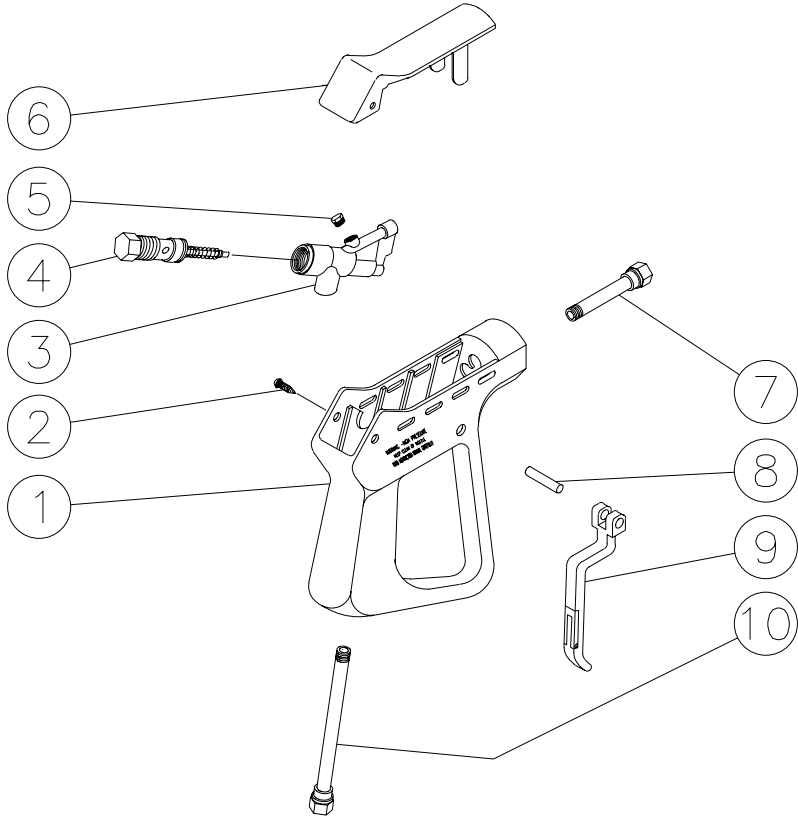
UNLOADER ASSEMBLY (8-0270) FOR CW-3504-3MGH/3MGV



UNLOADER ASSEMBLY (8-0270)			
REF. #	DESCRIPTION	PART #	QTY.
1	Hex Nut	30-7203	2
2	Spring Guide	8-0278	1
3	Spring	49-0111	1
4	Piston Housing	8-0279	1
5	O-ring	25-0189	3
6	Back-up Ring	8-0277	1
7	O-ring	25-0192	1
8	Piston	8-0280	1
9	Pin	43-0059	1
10	Back-up Ring	8-0276	2
11	O-ring	25-0191	1
12	Plug	39-0055	2
13	Valve Housing	8-0275	1
14	O-ring	25-0193	1
15	Check Valve	22-0127	1
16	Spring	49-0058	1
17	Outlet Connection	8-0271	1
18	O-ring	25-0190	1
19	Seat	8-0272	1
20	Ball	8-0273	1
21	Spring	49-0059	1
22	Inlet Connection	8-0274	1
	Unloader Kit (5-7, 10, 11, 14, 18-21)	70-0107	1

OMGEN043-083094-BAR

GUN ASSEMBLY (16-0001) FOR CW-3504-3MGH/3MGV



GUN ASSEMBLY (16-0001)			
Ref. #	Description	Part #	Qty.
1	Plastic Housing	16-0008	1
2	Screw	27-3230	2
3	Brass Housing	16-0012	1
4	Gun Repair Kit	70-0055	1
5	Brass Plug	39-0024	1
6	Plastic Cover	16-0009	1
7	Pipe Assembly	16-0013	1
8	Trigger Pin	16-0063	1
9	Trigger Safety Lock-off	16-0010	1
10	Pipe Assembly-Inlet	16-0016	1
	Gun Assembly Complete	16-0001	1

OMGEN013/080294/BAR

